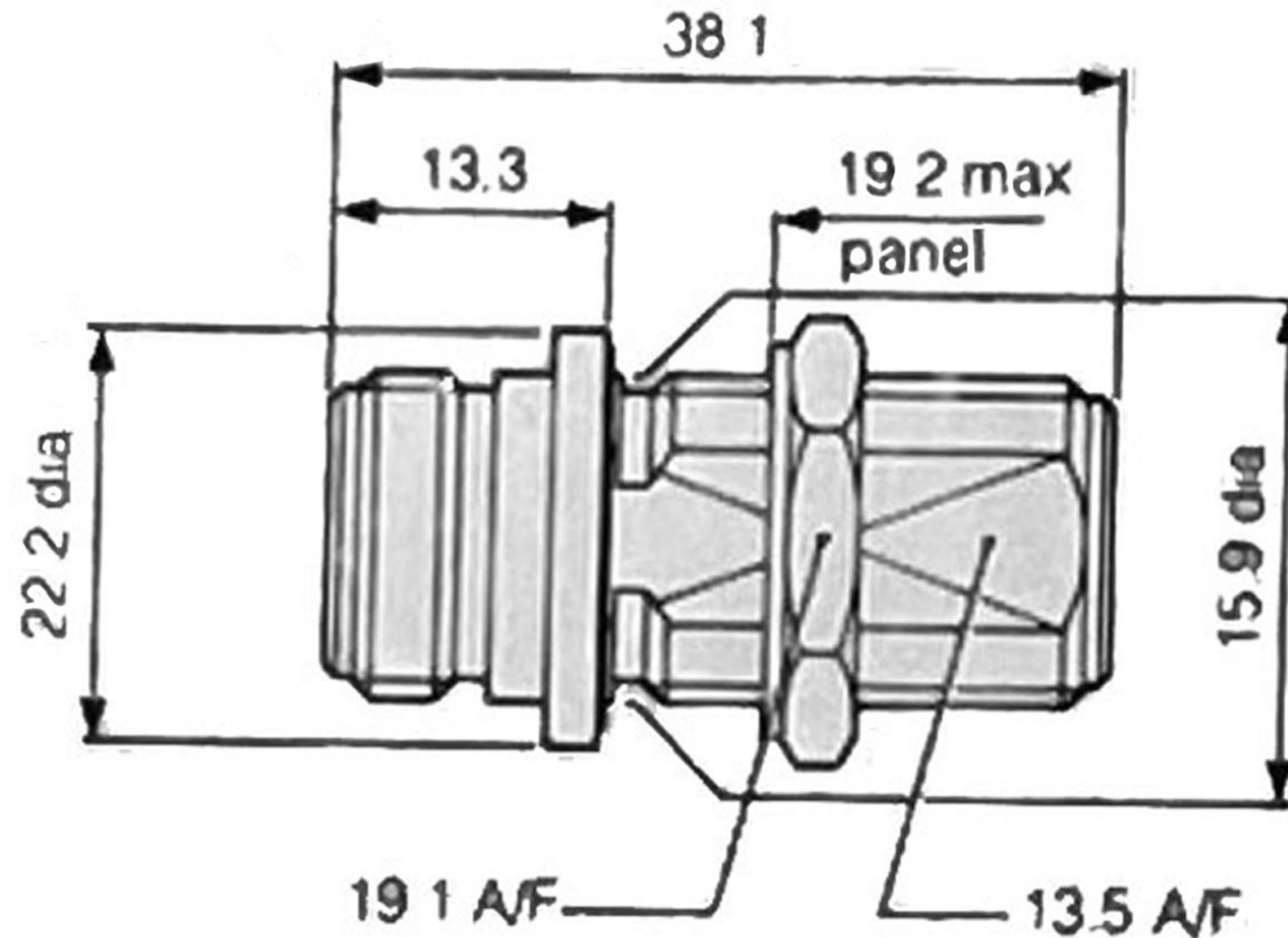
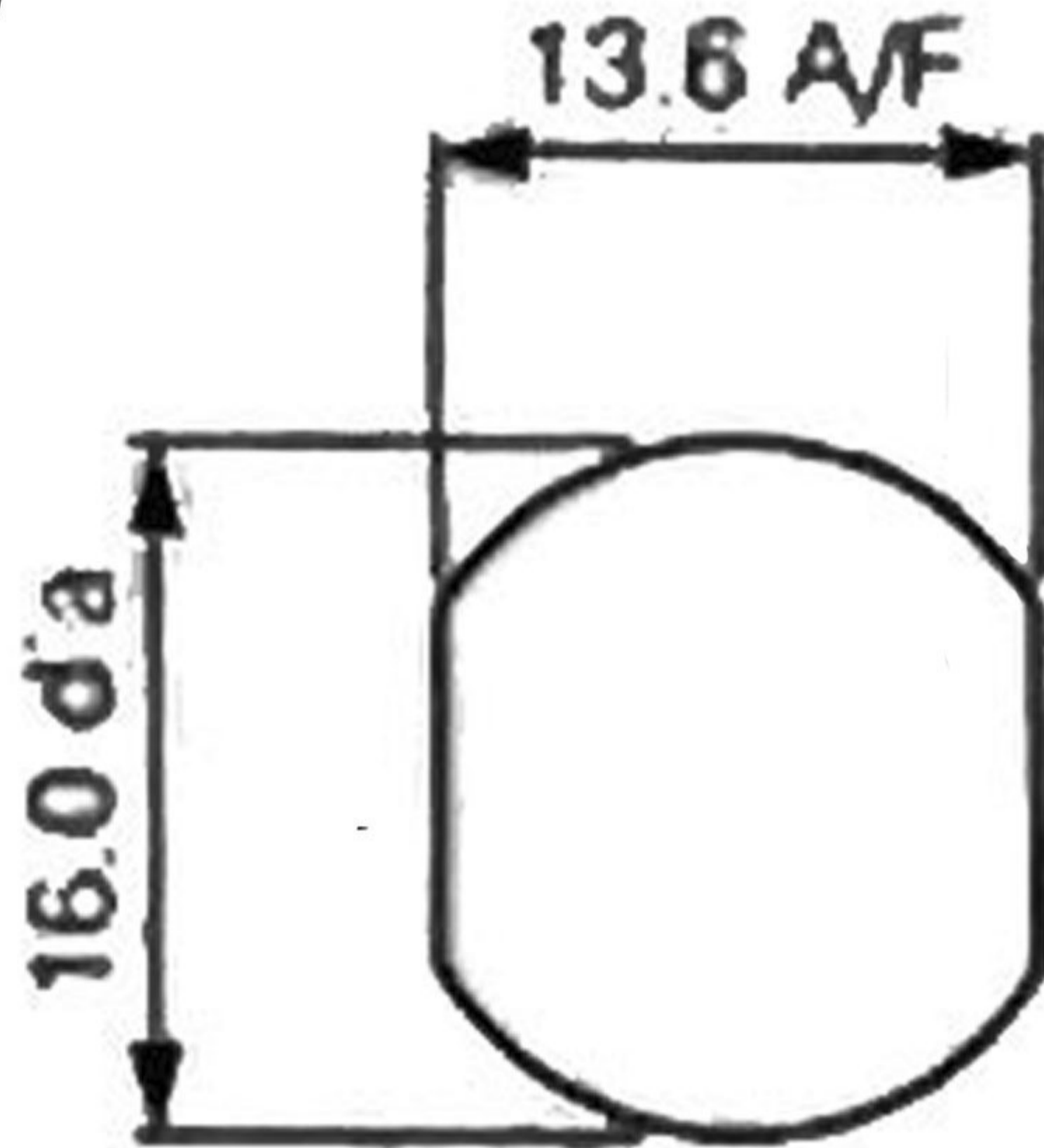
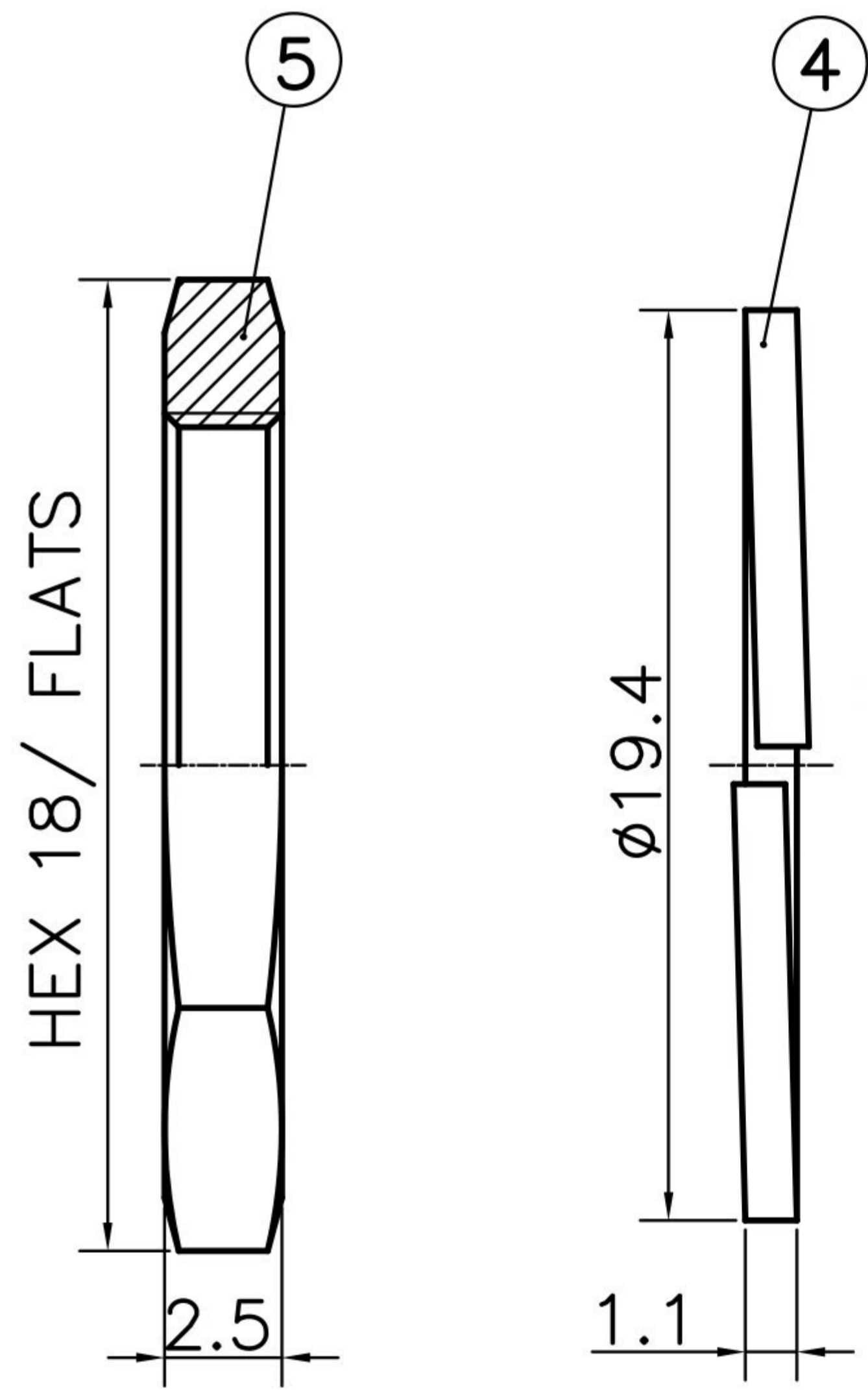


REVISIONS	
ISS	DESCRIPTION \ DATE

RoHS COMPLIANT



CONNECTORS CABLES
CCS
SPECIALISTS LTD.

TITLE: N DOUBLE FEMALE BULKHEAD
DOUBLE FLAT MOUNTING WITH PANEL SEAL

PART NO: NBJA50DF

DRAWING NO:

APRD:

CHKD:

DR:

DATE: 03/06/05'

SHEET: .

UNLESS OTHERWISE SPECIFIED TOLERANCES
0.5-6 = ±0.2
>6-30 = ±0.4
>30-120 = ±0.6
>120-315 = ±1
>315-1000 = ±1.6
ANGLES = ±5°

UNIT: mm

SCALE: 3/1

NO.	DESCRIPTION	MATERIAL	FINISH	SGS REPORT NO
5	NUT	BRASS	NICKEL	KA/2005/10527 \ KA/2005/60362
4	WASHER	STEEL	NICKEL	KA/2005/10523 \ KA/2005/60362
3	BODY	BRASS	GOLD	KA/2005/10527 \ KA/2005/30993
2	INSULATOR	TEFLON	WHITE	KA/2005/50918
1	BODY	BRASS	NICKEL	KA/2005/10527 \ KA/2005/60362